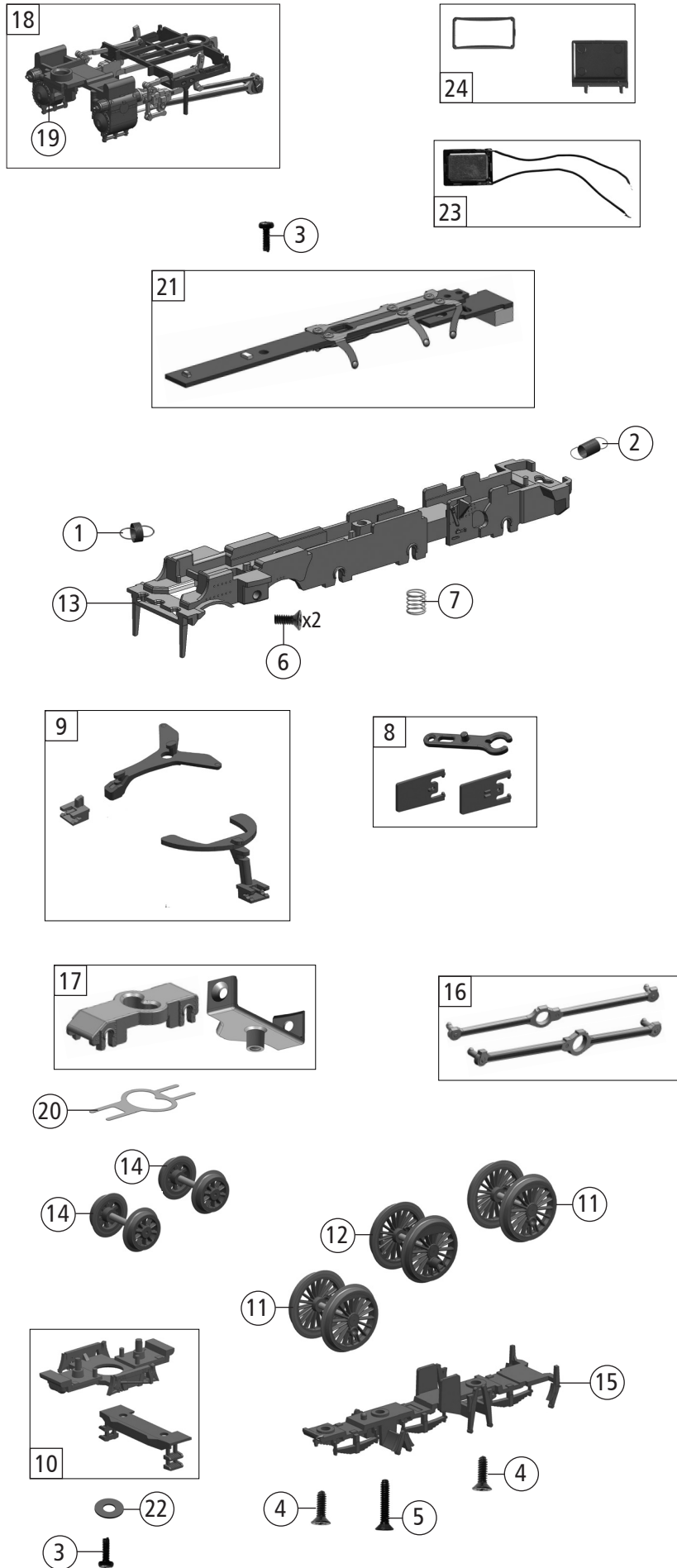
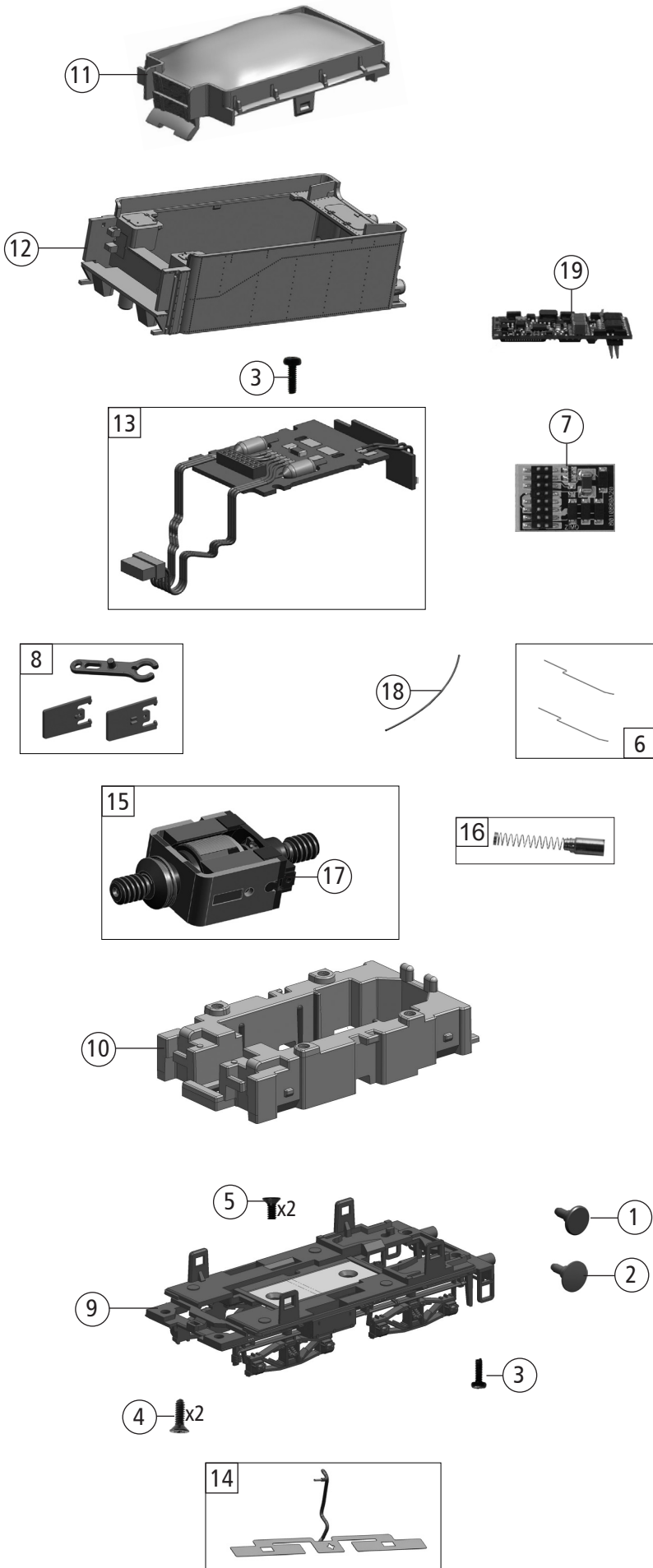


Pos. Nr. Pos.no.	Beschreibung Description	Art.-Nr. Art.no.	Preisgruppe Price bracket
1	Kessel kpl. Betr.nr. 38 2471-1 Boiler ass. compl. loco no. 38 2471-1	150902	30
2	Nummernschild Number board	150904	8
3	GF-Schraube M2x6 mm GF-Screw	114828	3
4	Kesselboden Boiler bottom	132143	8
5	TS- Wagner Windleitbleche Part set wind guide plate	132144	10
6	Rauchkammerdeckel Smoke chamber lid	132147	8
7	Lampe Lamp	150901	5
8	TS-Deckel, Lampen Part set lamps. covers	132149	11
9	TS- Rohrleitungen Part set lines	140921	8
10	TS- Handrad, Ventil, Griffe Part set hand wheel, valve...	132153	7
11	TS-Fenster, Lichtleiter, Linse Part set window, light transmission bar, lens	132156	8
12	Führerhaus Drivers cab	150903	17
13	TS- Rohrleitungen, Auftritt Part set lines, ...	150899	8
14	Lokgewicht, Montagescheibe Loco weight, washer	132174	12
15	Umlauf lackiert Running board coated	150898	20
16	Puffer rund flach - Metall Buffer round flat - metal	147295	5
17	Puffer rund gewölbt - Metall Buffer round vaulted - metal	147294	5

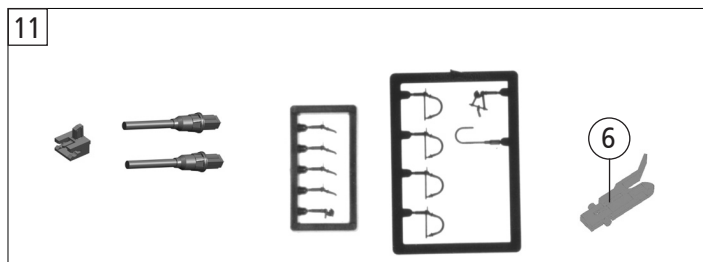
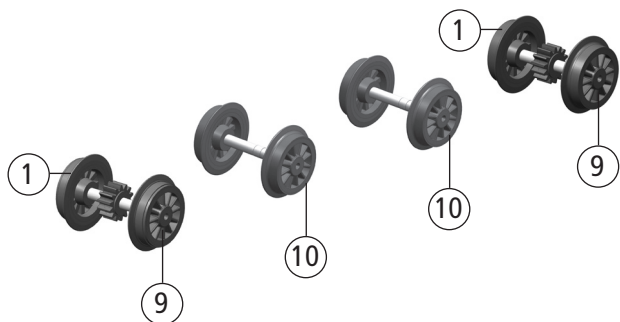
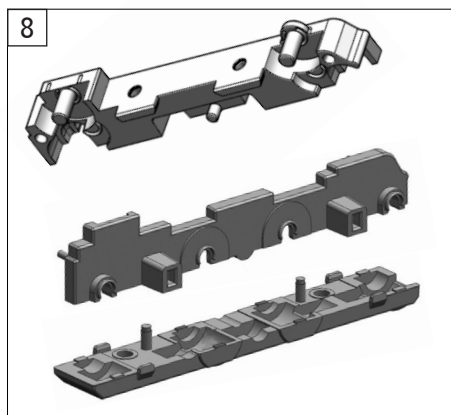
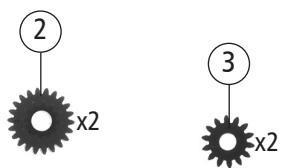
Änderungen in Konstruktion und Ausführung vorbehalten  
We reserve the right to change the construction and specification



Pos. Nr. Pos.no.	Beschreibung Description	Art.-Nr. Art.no.	Preisgruppe Price bracket
1	Zugfeder Draw spring	86249	3
2	Zugfeder Draw spring	109832	3
3	GF-Schraube M1,6x4 mm GF-Screw	114850	3
4	SK-Schraube M1,6x5 mm SK-Screw	115317	4
5	SK-Schraube M1,6x10 mm SK-Screw	116089	3
6	SK-Schraube M1,6x3 mm SK-Screw	125023	3
7	Federn 3Stk. Spring 3pieces	126616	9
8	TS- Lok Tenderkupplung Part set loco- tender coupler	132154	8
9	TS- Deichseln, Platten Part set drawbar, plates	132806	7
10	TS-Vorlaufgestellbod., Tender-Treppen Part set pilot frame bottom, tender steps	150884	7
11	Treibradsatz Wheelset	150887	12
12	Treibradsatz Wheelset	150888	12
13	Lokgrundrahmen Loco frame	150889	19
14	Vorlaufradsatz Pilot wheelset	150886	10
15	Lokboden Loco bottom	150890	6
16	TS- Kuppelstangen Part set connecting rod	150891	11
17	Vorlaufgestell lackiert Pilot frame coated	150885	11
18	Steuerung kpl. Steering ass.	150883	24
19	Zylinderblock Cylinder block	132182	10
20	Vorlaufradsatzfeder Spring	132183	6
21	Kesselplatine Printed circuit ass.	132184	24
22	Beilagscheibe Washer	132185	3
<b>Sound</b>			
23	Lautsprecher Loud speaker	129524	13
24	TS-Lautsprechergehäuse u. Halterung Part set loudspeaker body, holder	132145	7



Pos. Nr. Pos.no.	Beschreibung Description	Art.-Nr. Art.no.	Preisgruppe Price bracket
7180001	DR Br 38	=	
7190001		=	
1	Puffer rund flach - Metall Buffer round flatr - metal	147295	5
2	Puffer rund gewölbt - Metall Buffer round vaulted - metal	147294	5
3	GF-Schraube M1,6x4 mm GF-Screw	114850	3
4	SK-Schraube M1,6x4 mm SK-Screw	115161	3
5	SK-Schraube M1,6x3 mm SK-Screw	125023	3
6	Tendertürfedern Tender door springs	140503	4
7	Brückenstecker 16 Plux Jumper	129630	8
8	TS- Lok Tenderkupplung Part set loco- tender coupler	132154	8
9	Tenderrahmen Tender frame	150894	10
10	Tendergrundrahmen Tender main frame	150895	14
11	Tender Oberteil lackiert Tender part coated	133919	12
12	Tendergehäuse Tender body	150892	19
13	Tenderplatine Printed circuit ass.for tender	151001	24
14	Tenderradkontakt kpl. Wheel contact tender ass.	132188	8
15	Motorbaugruppe Motor	133913	32
16	Kohlebürste + Feder Carbon brush + spring	133936	6
17	Kohlebürstenhalter Carbon brush holder	00507801	1
18	Deichselfederdraht Drawbar spring	139806	4
<b>Sound</b>			
19	Sounddecoder Sounddecoder	149677	39



Pos. Nr. Pos.no.	Beschreibung Description	Art.-Nr. Art.no.	Preisgruppe Price bracket
7180001	DR Br 38	=	
7190001		=	
1	Haftring N-Spur D=6,95 B=1,2 Traction tyres	00547002	1
2	Schneckenzahnrad Z=22/12 M=0,3 Worm gear	86482	4
3	Zahnrad Z=14 gerade M=0.3 rot Gear red	86496	3
4	Radachsenfeder gebogen Curved axle spring	133914	5
5	SK-Schraube M1,6x5 mm SK-Screw	115317	4
6	TTKupplung KUEHN TT-Coupler KUEHN	150060	6
7	Bremsbacke Tender Brake shoe	150893	5
8	TS- Getriebe Part set gear	132177	16
9	Radsatz m. Zahnrad m. 2Haftringen Wheelset w. gear w. 2 traction tyres	150896	12
10	Radsatz o. Zahnrad o. Haftringen Wheelset w/o gear w/o tr. tyres	150897	10
11	Zurüstbeutel Bag w. accessories	150905	12